

Egg-Mate Assembly Manual



PARTS LIST

2 = Pre-assembled tables

2 = Interface brackets

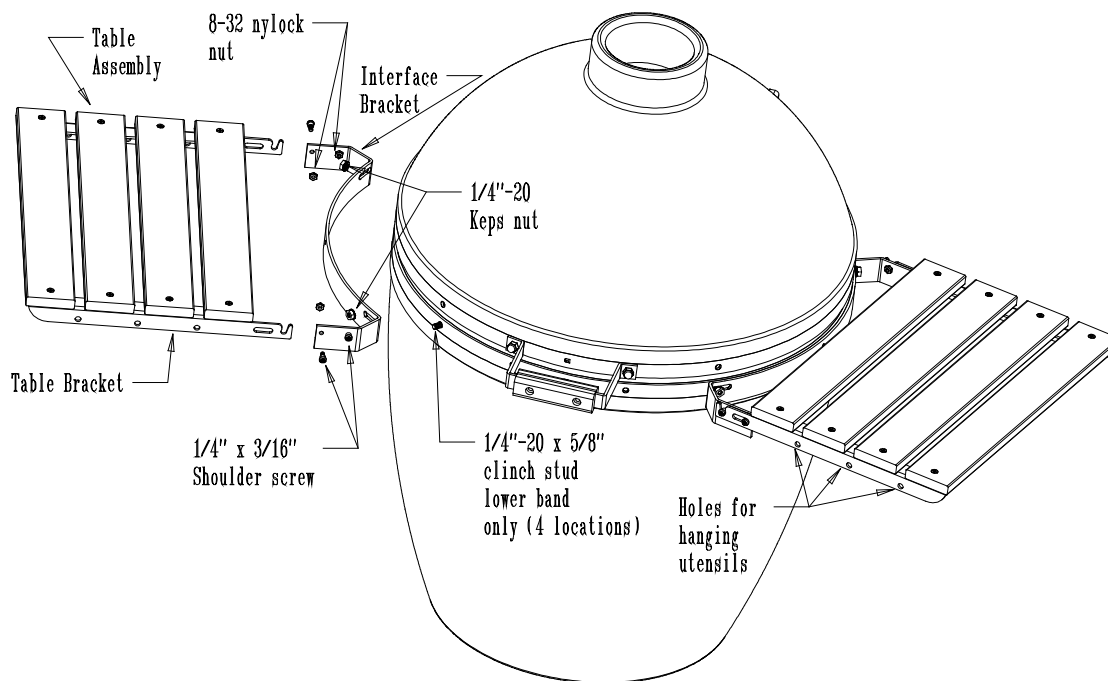
1 = Hardware bag

(8) = 1/4" x 3/16" Shoulder screws (8) = 8-32 Nylock nuts (4) = 1/4"-20 Keps nuts

(4) = 1/4"-20 x 5/8" Clinch studs (4) = Utensil S-hooks

STEP 1. Attaching the interface brackets: **(WARNING)** *If you are working with a Spring Assisted Band, be certain that you reinstall the shipping retainer bar/s before proceeding or the spring tension could cause the hinge to snap open or closed possibly causing personal injury or damage to the grill unit.* If you are adding Egg-Mates to an existing Egg, you will need to remove the lower band-tensioning bolt in order to insert the (4) 1/4"-20 x 5/8" clinch studs. Insert the clinch studs from the inside of the lower band outward then install and hand tighten a 1/4"-20 Keps nut onto each stud to hold them in place while reinstalling the band onto the Egg. Install the band onto the Egg and securely tighten the band-tensioning bolt. Remove the Keps nuts you hand tightened onto the clinch studs. Position one of the slots in the interface brackets onto one of the clinch studs then install and hand tighten a Keps nut. (Note: the interface brackets have holes and slots closer to one edge than the other, the closer edge is the top) Position the slot in the opposite end of the interface bracket onto the other stud and install a Keps nut. Repeat this procedure for the remaining interface bracket and tighten all the fasteners.

STEP 2. Attaching the table assemblies: Position one of the table assemblies over the ends of one of the interface brackets you installed in step 1. The table brackets should fit over the outside of the interface bracket ends. Check the gap between the interface bracket and the table brackets. You may need to slightly bend the interface bracket ends from side to side in order to achieve a small and parallel / even gap between them, (the gap only needs to be wide enough to allow the table assembly to slide in and out freely to engage and disengage the latching mechanism). When the gap is even, set the table assembly aside and insert a 1/4" x 3/16" shoulder screw from the outside inward through the inner hole (hole closest to the egg) at either end of the interface bracket, install an 8-32 nylock nut and tighten. Repeat this at the inner hole in the opposite end of the interface bracket also. Position the table assembly over the interface bracket and insert a 1/4" x 3/16" shoulder screw through the slotted hole in the table bracket then through the outer hole in the interface bracket and install an 8-32 nylock nut. Repeat this at the slotted hole in the opposite side of the table assembly and tighten the nuts at both locations. Repeat step 2 for the remaining table assembly.



Congratulations, you have completed the installation of your Egg-Mate tables. Simply lift up the table and slide it in or out to engage or disengage the latch mechanism. This product was designed and manufactured in the U.S.A. exclusively for Big Green Egg. Thank you for your purchase.

Safety

- ▲ Always be certain both latches are engaged before use.
- ▲ Do not place heavy objects on tables.
- ▲ Do not sit or lean on tables.
- ▲ Do not place combustible materials on tables while charcoal is ignited.
- ▲ Do not let children sit, hang, swing, or pull them up on the tables.
- ▲ Do not lift cooker by the tables.
- ▲ Use only on a stable & level surface.

Big Green Egg

3417 Lawrenceville Hwy. Tucker, GA 30084-5802

Phone: 770-938-9394 Fax: 770-938-9149 Website: www.biggreenegg.com

1-25-08